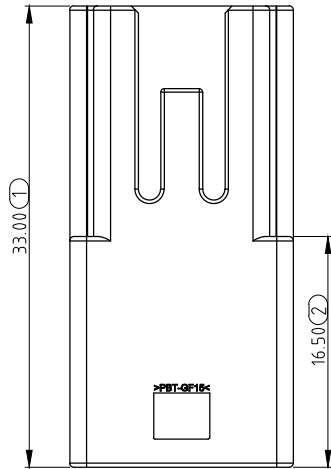


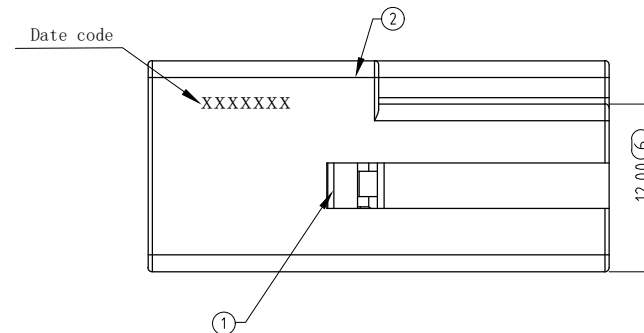
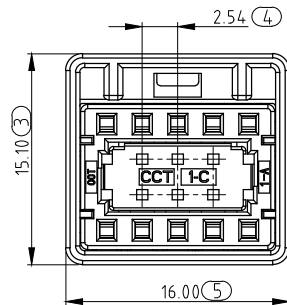
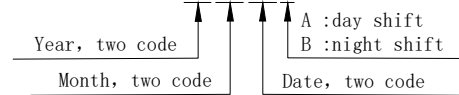


REV.	ECN NO.	APPD.
B	ECN230313-004	Simon Mou
C	ECN230410-006	Simon Mou
D	ECN230717-001	Simon Mou



NOTE

- Applicable wire size: 0.3 ~ 0.5mm², Insulation O.D 1.9 mm Max.
- Terminal from housing extraction force after TPA secondary lock: 30N Min.
- Date code: Seven in total XXXXXXX



BOM

NO.	NAME	MATERIAL	QUANTITY
1	TPA	PBT-GF15 (Blue)	1
2	HOUSING	PBT-GF15 (Black)	1

TOLERANCES UNLESS OTHERWISE SPECIFIED		UNITS	COCENTRA 科信成精密技术 (江苏) 有限公司 COCENTRA PRECISION TECHNOLOGY (JIANGSU) Co. LTD				
X.±	X'.±	mm	DWG NAME: CUSTOMER DRAWING	TITLE: HOUSING AND TPA FOR CCTAIT 10 PIN FEMALE			
.X±	.X'±	BOM					
.XX±	.XX'±	°	APPD: Simon Mou 2023/07/17	PART NO.: BMP110-B21-PB			
THESE DRAWINGS AND SPECIFICATIONS ARE THE PRIOR WRITTEN CONSENT OF COCENTRA PRECISION TECHNOLOGY (JIANGSU) Co. LTD. AND SHALL NOT BE REPRODUCED, COPIED OR USED IN ANY MANNER WITHOUT THE PRIOR WRITTEN CONSENT OF COCENTRA PRECISION TECHNOLOGY (JIANGSU) Co. LTD.			FINISH	CKD: Daivd Wang 2023/07/17			
			Q'TY	DWG NO.: 307-0000-0416			
			DR: B.J. Wang 2023/07/17		SCALE	SHEET	REV.
				1:1	1/1	D	