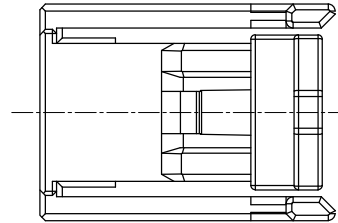


CUSTOMER DRAWING

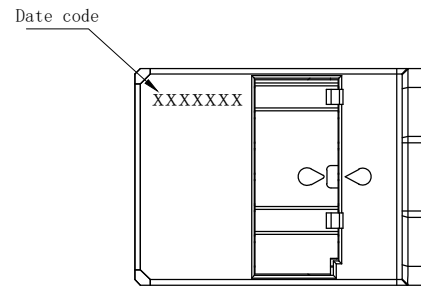
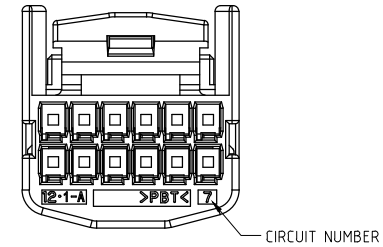
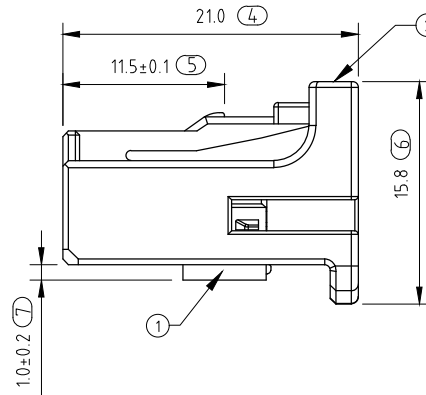
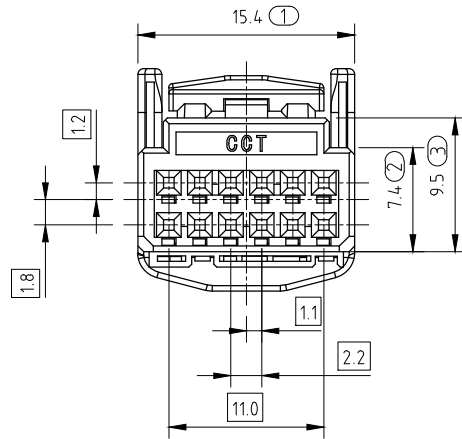
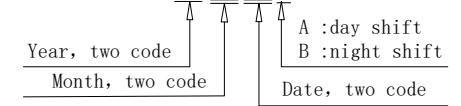
RoHS

Rev.	ECN No.	DESCRIPTION
A	ECN230412-013	INITIAL RELEASE
B	ECN230508-017	CHANGE DATE CODE LOCATION



NOTE

- Applicable wire size: 0.22 ~ 0.5mm² ;
- TPA retention force from housing: 20N Min;
- Date code: Seven in total XXXXXXX



NO.	NAME	MATERIAL	QUANTITY
1	TPA	PBT-GF0 (Black)	1
2	HOUSING	PBT-GF0 (Black)	1

TOLERANCES UNLESS OTHERWISE SPECIFIED

X.	.XXX
.X ±0.30	X.° ±1°
.XX	.X° ±0.5°

THESE DRAWINGS AND SPECIFICATIONS ARE THE PRIOR WRITTEN CONSENT OF COCENTRA PRECISION TECHNOLOGY (JIANGSU) Co. LTD. AND SHALL NOT BE REPRODUCED, COPIED OR USED IN ANY MANNER WITHOUT THE PRIOR WRITTEN CONSENT OF COCENTRA PRECISION TECHNOLOGY (JIANGSU) Co. LTD.

COCENTRA 科信成精密技术 (江苏) 有限公司
COCENTRA PRECISION TECHNOLOGY (JIANGSU) Co. LTD.

SERIES: CCTTE 12 PIN FEMALE	TITLE: HOUSING AND TPA FOR CCTTE 12 PIN FEMALE
APPD: Simou Mou 23/05/08	PART No.: BMP212-B22-PB
CKD: Daivd.Wang 23/05/08	DWG No.: 307-0000-0431
DR: BJ.Wang 23/05/08	

UNITS	MAT'L	FINISH	SCALE	SHEET	REV.
mm	BOM	NA	NA	1/1	B