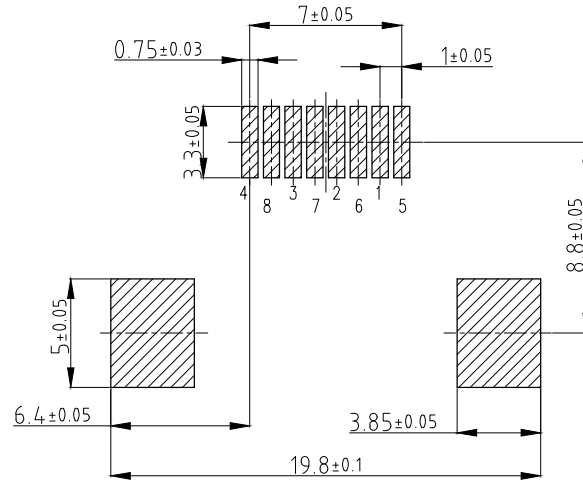
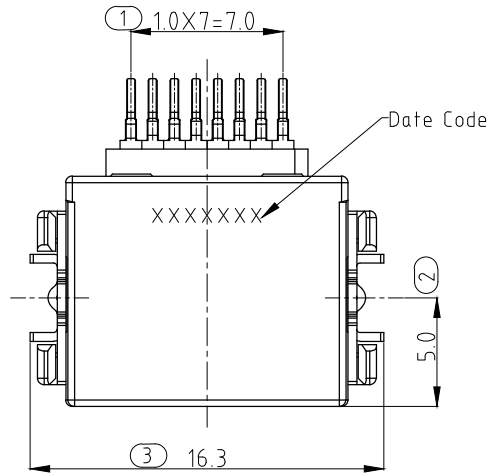
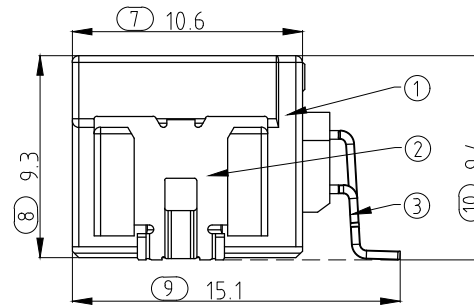
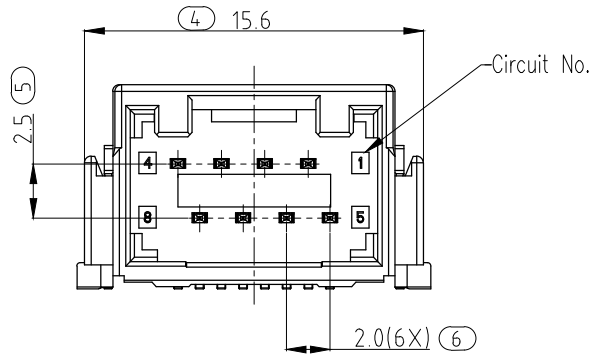
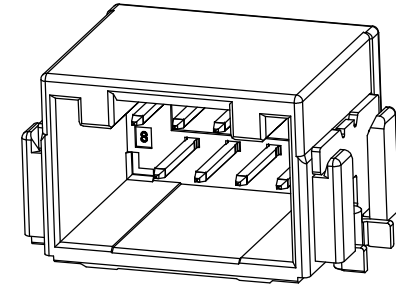


RoHS2.0

REV.	ECN NO.	APPD.
X1	INITIAL RELEASE	Alvin Zhang
X2	20231013-015	Alvin Zhang



RECOMMENDED PCB LAYOUT(COMPONENT SIDE VIEW)



NOTE:

1. 额定电流: 3A AC, DC MAX. (0.3mm²)
2. 额定电压: 50V AC, DC
3. 温度范围: -40°C to 125°C (包括施加电流时的温升)
4. 绝缘电阻: 100MΩ Min., DC 500V
5. 接触电阻:
初态: 15mΩ Max. 环境测试后: 15mΩ Max.
6. 耐电压: 1000 VAC/分钟
7. DATE CODE: XXXXXX

年: 两码 A : 白班
月: 两码 B : 夜班
日期: 两码

3	MALE TERMINAL	BRASS	8	Sn OVER Ni
2	TAB	BRASS	2	Sn OVER Ni
1	HOUSING	LCP	1	BLACK, UL94-V0
ITEM	NAME	MATERIAL	Q'TY	REMARK

TOLERANCES UNLESS OTHERWISE SPECIFIED		UNITS mm	COCENTRA® 科信成精密技术 (江苏) 有限公司 COCENTRA PRECISION TECHNOLOGY (JIANGSU) Co. LTD		
X± 0.35	X*± 2°	MAT'L NA	DWG NAME: CUSTOMER DRAWING	TITLE: CCTCPM8PIN板端连接器(黑色)	
.X± 0.30	.X*± 1.0°	FINISH NA	APPD: David Wang 2023/10/13	PART NO.: BMB12084-B21-TR	
.XX± 0.25	.XX*± 0.50°	Q'TY NA	CKD:	DWG NO.: 307-0000-0448	
THESE DRAWINGS AND SPECIFICATIONS ARE THE PRIOR WRITTEN CONSENT OF COCENTRA PRECISION TECHNOLOGY (JIANGSU) Co. LTD. AND SHALL NOT BE REPRODUCED, COPIED OR USED IN ANY MANNER WITHOUT THE PRIOR WRITTEN CONSENT OF COCENTRA PRECISION TECHNOLOGY (JIANGSU) Co. LTD.			DR: Y. P. Chen 2023/10/13	SCALE NA	SHEET 1/1
				REV. X2	