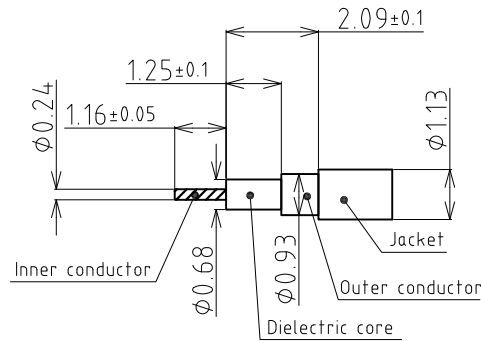
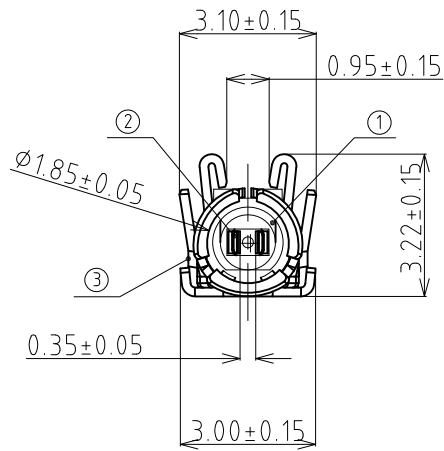
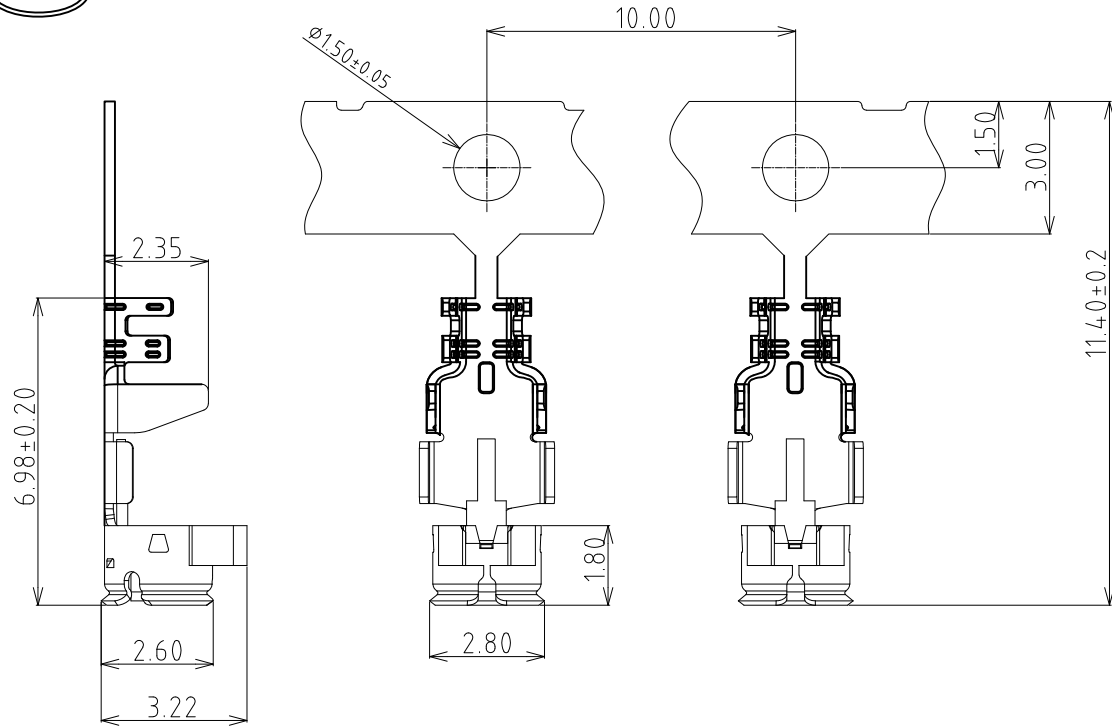
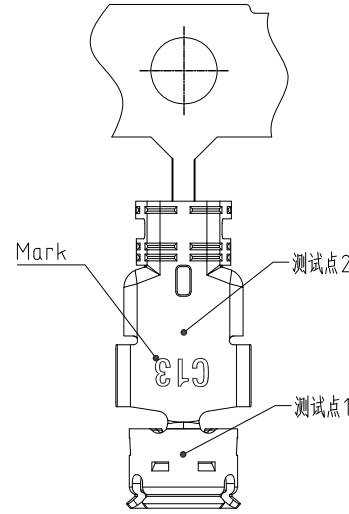


CUSTOMER DRAWING

(ROHS2.0+HF)



建议剥线参考尺寸



Rev.	ECN No.	DESCRIPTION
A	ECN180502-001	NEW RELEASE
B	ECN180610-001	ADD "HSF"
C	ECN190517-001	增加电镀规格
D	ECN221104-005	MODIFY SIZE

Notes:

1. Material and finish (Plating)

- ① Housing: PBT
- ② Contact: Phosphor bronze (Au over Ni)
- ③ Shell: Phosphor bronze (Au over Ni)

2. Impedance: 50 OHM nominal

3. Frequency rating: DC TO 8 GHz

4. VSWR: DC -- 3GHz 1.3Max.

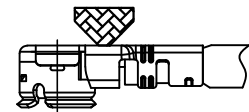
3GHz -- 6GHz 1.5Max.

6GHz -- 8GHz 1.6Max.

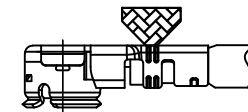
5. Cable retention force 10N min.

6. The harmful material of this part should be compliance with CCT document QW-QA-10.

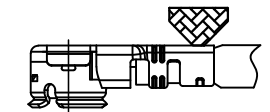
- ANCZ113 x -1 x 1
- 1: Housing Black
 - B: CCT Shell Mark "C13"
 - L: Shell Plating Au 0.5u" . Contact Plating Au 1u"
 - 1: Shell Plating Au 1u" . Contact Plating Au 1u"



CH1: 1.34~1.40



CH2: 1.02~1.10



CH3: 1.10~1.25

铆高尺寸仅供参考

TOLERANCES UNLESS OTHERWISE SPECIFIED			COCENTRA 科信成精密技术 (江苏) 有限公司 COCENTRA PRECISION TECHNOLOGY (JIANGSU) Co. LTD.					
X.	±0.25	.XXX	±2°	SERIES: RF CABLE PLUG CONN.		TITLE: RF1代 PLUG 1.13 C TYPE		
.X	±0.20	X.°	±1°	APPD: Wesley.W 2022/11/04		PART No.: ANCZ1131-1B1		
.XX	±0.15	.X°	±0.5°	CKD: Ease.zhang 2022/11/04		DWG No.: 307-0000-0177		
THESE DRAWINGS AND SPECIFICATIONS ARE THE PRIOR WRITTEN CONSENT OF COCENTRA PRECISION TECHNOLOGY (JIANGSU) Co. LTD. AND SHALL NOT BE REPRODUCED, COPIED OR USED IN ANY MANNER WITHOUT THE PRIOR WRITTEN CONSENT OF COCENTRA PRECISION TECHNOLOGY (JIANGSU) Co. LTD.				DR: Y.Wang 2022/11/04				
				UNITS	MAT'L	FINISH	SCALE	SHEET
				MM	NA	1:1	1/1	D