

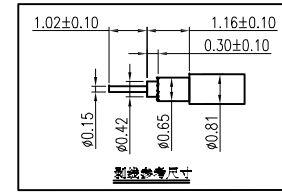
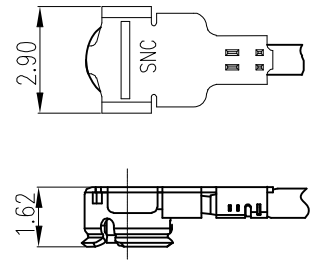
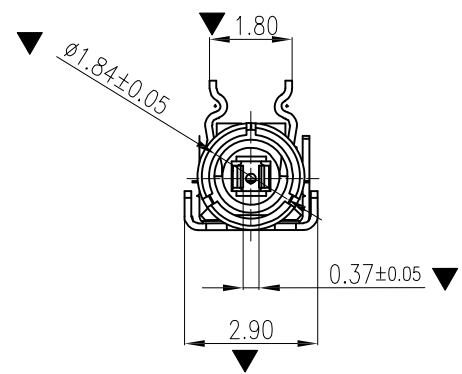
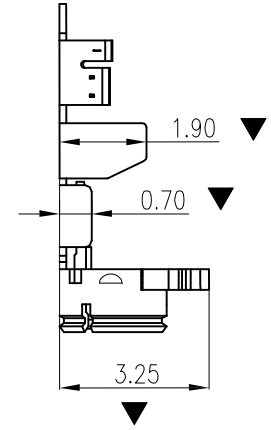
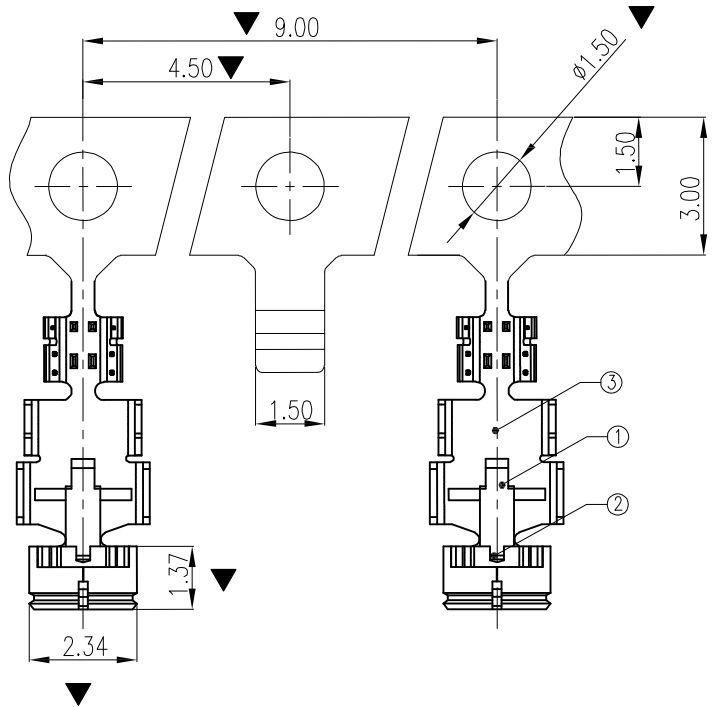
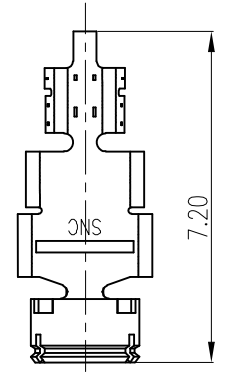
客户图

HSF

Rev.	ECN No.	DESCRIPTION
A	ECN20170622-001	NEW RELEASE

A
B
C
D
E
F

A
B
C
D
E
F



- NOTES:
1. Material and finish (Plating)
 - ① Housing: Thermoplastic
 - ② Contact: C5210 (Au 1.0u" over Ni 50u" Min.)
 - ③ Shell: C5210 (Au 1.0u" over Ni 50u" Min.)
 2. IMPEDANCE: 50 OHM NOMINAL
 3. FREQUENCY RATING: DC TO 8 GHZ
 4. VSWR: DC -- 3GHz 1.3Max.
3GHz -- 6GHz 1.5Max.
6GHz -- 8GHz 1.6Max.
 - ④ Cable与端子铆接后的保持力大于10N
 5. 产品生产需符合ROHS环境物质要求.

PRODUCT NUMBER ORDER

- | | | | | | | |
|-----|---|-----|---|---|---|---|
| ANC | 0 | 081 | 1 | 2 | 5 | 2 |
| ① | ② | ③ | ④ | ⑤ | ⑥ | ⑦ |
- ① Production Code :
ANC: ANTENNA PLUG for cable
 - ② Height after mated broad end :
0 : Common SPEC.
 - ③ Mitch Cable ϕ :
081: Cable ϕ 0.81 mm
 - ④ Shell Gold Plating Thickness :
1: Plating Au 1u" min.
 - ⑤ Product design generation:
2: Second generation.
 - ⑥ Customer identification code:
5: Shell Mark "SNC"
 - ⑦ Color of Housing:
2: White

TOLERANCES UNLESS OTHERWISE SPECIFIED				COCENTRA 科信成精密技术 (江苏) 有限公司 COCENTRA PRECISION TECHNOLOGY (JIANGSU) Co. LTD.			
X.	±0.25	X.°	±2°	SERIES: RF CABLE PLUG CONN.		TITLE: RF2代 PLUG 0.81 I TYPE	
.X	±0.20	.X°	±1°	APPD: Wesley.W 2021/11/20		PART No.: ANC00811-252	
.XX	±0.15	.XX°	±0.5°	CKD: Roy Duan 2021/11/20		DWG No.: 307-0000-0005	
THESE DRAWINGS AND SPECIFICATIONS ARE THE PRIOR WRITTEN CONSENT OF COCENTRA PRECISION TECHNOLOGY (JIANGSU) Co. LTD. AND SHALL NOT BE REPRODUCED, COPIED OR USED IN ANY MANNER WITHOUT THE PRIOR WRITTEN CONSENT OF COCENTRA PRECISION TECHNOLOGY (JIANGSU) Co. LTD.				DR: M.y Liang 2021/11/20			
				UNITS	MAT'L	FINISH	SCALE
				MM	N/A	N/A	1:1 1/1 A