

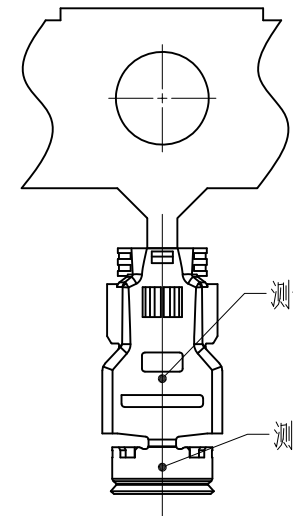
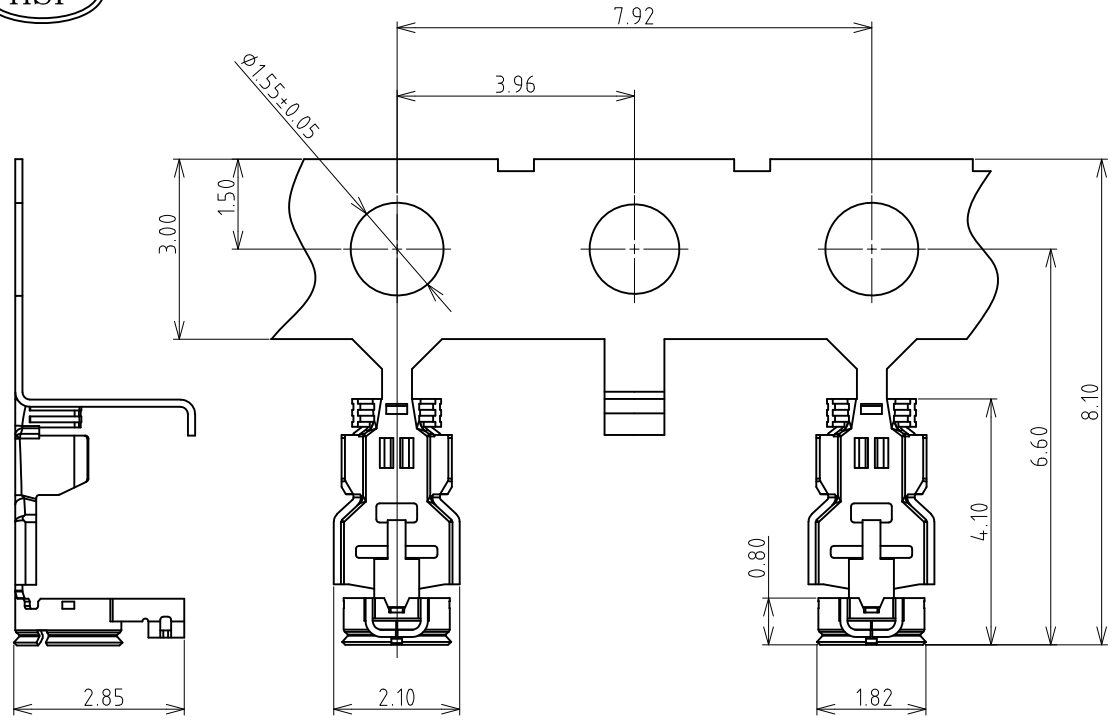
CUSTOMER DRAWING

HSF

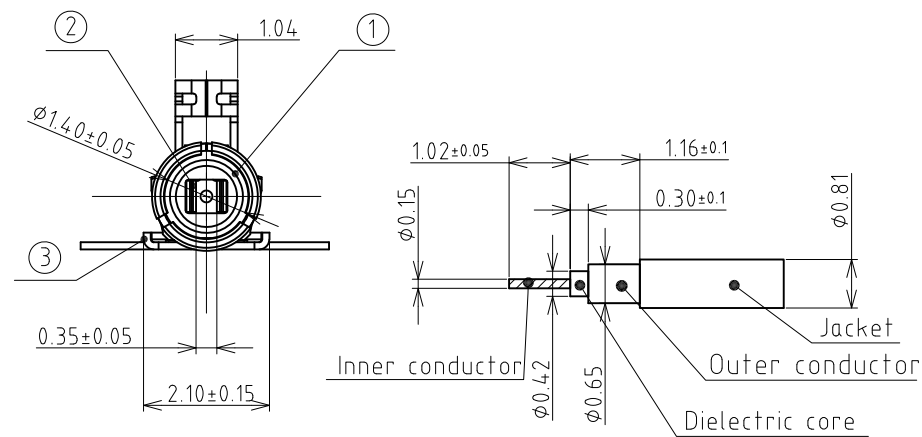
Rev.	ECN No.	DESCRIPTION
F	ECN201607-001	增加公母配合高度
G	ECN20170915-001	CHANGE

A
B
C
D
E
F

A
B
C
D
E
F



- Notes:
- Material and finish (Plating)
 - ① Housing: PBT
 - ② Contact: Phosphor bronze (Au over Ni)
 - ③ Shell: Phosphor bronze (Au over Ni)
 - IMPEDANCE: 50 OHM NOMINAL
 - FREQUENCY RATING: DC TO 8 GHz
 - 3GHz -- 6GHz 1.5Max.
 - 6GHz -- 8GHz 1.6Max.
 - Cable retention force 7N min.
 - The harmful material of this part should be compliance with CCT document QW-QA-10.
- 1: Housing Black
2: CCT Shell NO Mark, 两爪
1: Shell Plating Au 1u" .
Contact Plating Au 1u"



建议剥线参考尺寸



TOLERANCES UNLESS OTHERWISE SPECIFIED				COCENTRA 科信成精密技术 (江苏) 有限公司 COCENTRA PRECISION TECHNOLOGY (JIANGSU) Co., LTD.						
X.	± 0.25	X.°	$\pm 2^\circ$	SERIES: RF CABLE PLUG CONN.		TITLE: RF4代 PLUG 0.81 C TYPE				
.X	± 0.20	.X°	$\pm 1^\circ$	APPD: Wesley.W 2017/09/15		PART No.: ANC00811-421				
.XX	± 0.15	.XX°	$\pm 0.5^\circ$	CKD: Roy Duan 2017/09/15		DWG No.: 307-0000-0048				
THESE DRAWINGS AND SPECIFICATIONS ARE THE PRIOR WRITTEN CONSENT OF COCENTRA PRECISION TECHNOLOGY (JIANGSU) Co. LTD. AND SHALL NOT BE REPRODUCED, COPIED OR USED IN ANY MANNER WITHOUT THE PRIOR WRITTEN CONSENT OF COCENTRA PRECISION TECHNOLOGY (JIANGSU) Co. LTD.				DR: Roy Duan 2017/09/15	UNITS	MAT'L	FINISH	SCALE	SHEET	REV.
					MM	Notes: 1		1:1	1/2	G

1 2 3 4 5 6 7 8