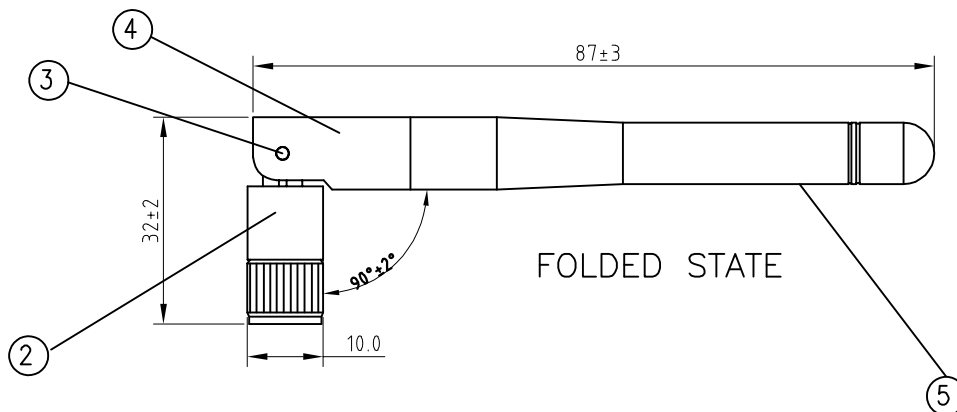


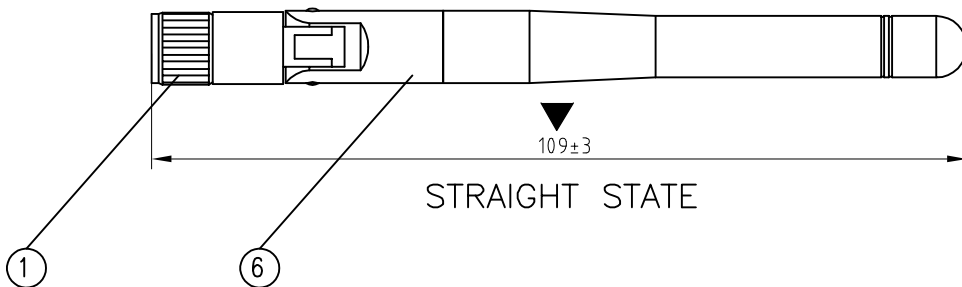
成品图

RoHS2.0+HF

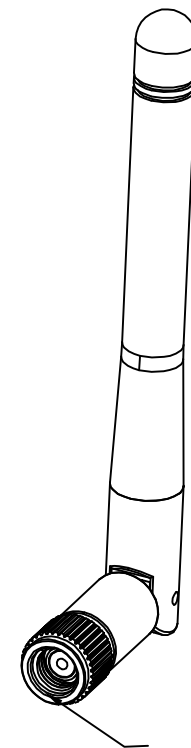
Rev.	ECN No.	DESCRIPTION



FOLDED STATE



STRAIGHT STATE



SMA公头母pin

技术要求:

1. 阻抗: $50 \pm 2.0 \Omega$
2. 工作频段 2.4GHz/5GHz
3. ANTENNA GAIN: 2.15dB
4. 产品表面不得有明显之划痕, 脏污, 亮斑, 异色。
5. 标▼尺寸为重点管控尺寸。
6. 此零件所包含环境管理物质应符合科信成系统文件 QW-QA-10之规定。

NO.	DESCRIPTION	Q'TY	REMARK
6	Cable	1	RG178 Cable, Brown 50Ω
5	Cover	1	TPEE63D,Color:Black
4	Link	1	ABS+PC,Color:Black
3	Pin	2	POM,Color:Black
2	BASE	1	ABS+PC,Color:Black
1	SMA CONN	1	SMA Plug Reverse Polarity, 1/4-36UNS-2B

客户料号:		UNITS				MAT'L		FINISH		SCALE		SHEET		REV.		
TOLERANCES UNLESS OTHERWISE SPECIFIED		MM		N/A		N/A		1:1		1/1		A				
X.	±0.30	X.°	±2°													
.X	±0.20	.X°	±1°													
.XX	±0.10	.XX°	±0.5°													
THESE DRAWINGS AND SPECIFICATIONS ARE THE PRIOR WRITTEN CONSENT OF COCENTRA PRECISION TECHNOLOGY (JIANGSU) Co. LTD. AND SHALL NOT BE REPRODUCED, COPIED OR USED IN ANY MANNER WITHOUT THE PRIOR WRITTEN CONSENT OF COCENTRA PRECISION TECHNOLOGY (JIANGSU) Co. LTD.																
SERIES:		CCT-GT-10910														
TITLE:		CCT-GT-10910														
APPD:																
CKD:																
DR:																

科信成精密技术 (江苏) 有限公司
COCENTRA PRECISION TECHNOLOGY (JIANGSU) Co. LTD.