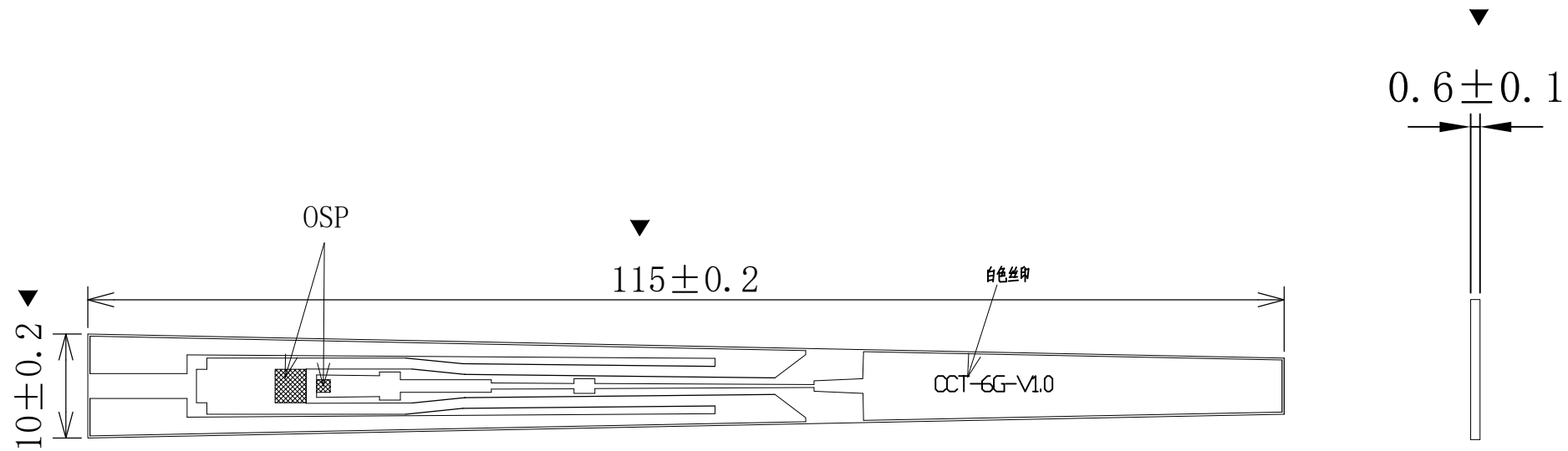


零件图

Rev.	ECN No.	DESCRIPTION

RoHS 2.0



- 技术要求:
1. 材质要求: FR4, 板厚0.6mm, 单面板.
 2. 单面铜层厚度0.5 OZ
 3. 绿色阻焊油墨, PCB边缘不允许露铜
 4. 焊盘开窗采用OSP处理工艺.
 5. 标▼尺寸为重点管控尺寸, 不允许边缘露铜
 6. 此零件所包含环境管理物质应符合科信成系统文件QW-QA-10之规定.

TOLERANCES UNLESS OTHERWISE SPECIFIED				COCENTRA® 科信成精密科技 (江苏) 有限公司 COCENTRA PRECISION TECHNOLOGY (JIANGSU) Co. LTD.								
.X	±0.30	X.°	±2°	SERIES:			TITLE: PCB6G-11510					
.XX	±0.20	.X°	±1°	APPD:			PART No.:					
XXX	±0.10	XX°	±0.5°	CKD:			DWG No.:					
THESE DRAWINGS AND SPECIFICATIONS ARE THE PRIOR WRITTEN CONSENT OF COCENTRA PRECISION TECHNOLOGY (JIANGSU) Co. LTD. AND SHALL NOT BE REPRODUCED, COPIED OR USED IN ANY MANNER WITHOUT THE PRIOR WRITTEN CONSENT OF COCENTRA PRECISION TECHNOLOGY (JIANGSU) Co. LTD.				DR:			UNITS	MAT'L	FINISH	SCALE	SHEET	REV.
							MM	N/A	N/A	1:1	1/1	X